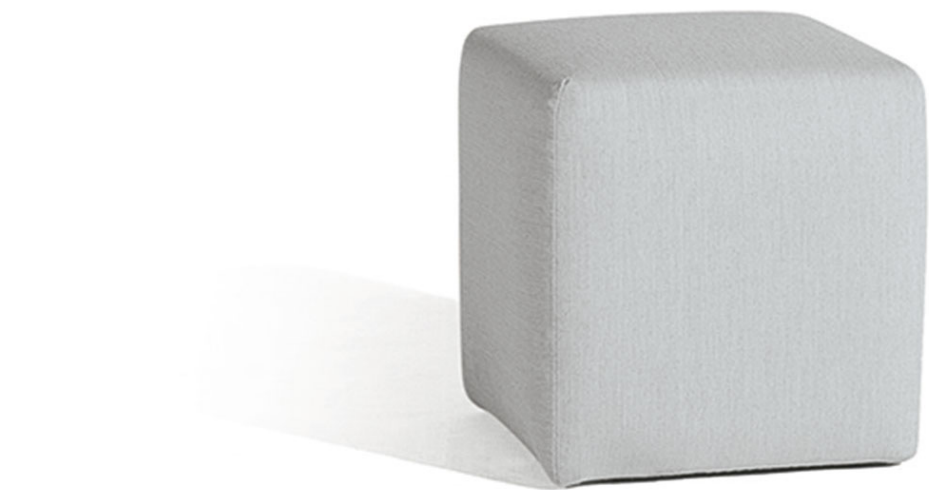


# UNIT Small Footstool

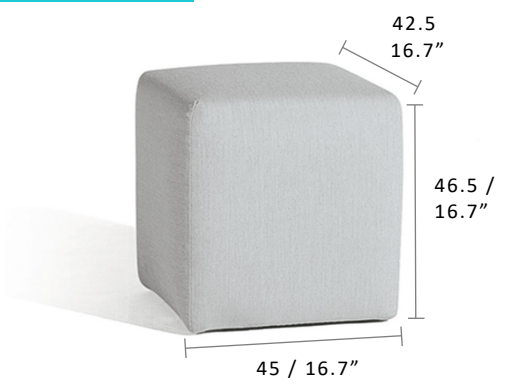
# akula

designed for life

|Product Code 70005|



## Dimensions



**Unit** combines seamless finishing and Batyline® waterproof fabrics with chic styling. Modern, modular and multifunctional, Unit offers a complete seating collection that's ideal for pool and beach side outdoor spaces.

**Footstool** | A footstool that can be used on its own or as part of the Unit modular range.

**Characteristics** | Modern, Multifunctional, Modular, Elegant

## Technical

**Weight** | 3.75kg / 8.26lbs

**Volume** | 0.11m<sup>3</sup> (1 per box)

**Frame** | Powder coated aluminium frame

**Cushion** | Batyline – a water resistant fabric around a quick dry foam

**Lead Time from Stock** | 4-6 Weeks

**Custom Order Lead time** | 12 Weeks

## Colour Options

frame



lava

cushions



oyster

## Features



ADJUSTABLE FEET



TRIPLE POWDER COATING



MODULAR



HOSPITALITY GRADE



FLEXIBLE



5-Year Warranty



Competitive Pricing



Marine Grade Materials



Custom Design Options



Vertical Factory - Design to Delivery



History - 100 Years Experience



Stock Supported - 7,000+ Pieces